

Introducing The . . .

Jackson

LUMBER HARVESTER

HYDRAULIC

PORTABLE SAWMILL



The Hydraulic Lumber Harvester is a unique portable machine. It is designed to transport to a logging site for total or partial processing of logs into lumber.



PORTABILITY REQUIRES -

- Rugged construction
- Simplified operation for remote areas
- Light weight for transportation
- Minimum labor force
- Versatility to adapt to all situations

COMPLETE OPERATIONS

Many options are available which allow for putting together complete portable sawmill operations, sawing, edging, trimming and piling.



Jackson
LUMBER HARVESTER
COMPANY, INCORPORATED

MANY OPTIONS AND FEATURES AVAILABLE: Such as Sawyer's cab, 2 or 3 strand log decks, right hand or left hand set-ups.



FULL VIEW BY OPERATOR: The Sawyer's control station provides a full view of the entire operation by the Sawyer.

WHERE CAN THE LUMBER HARVESTER BE USED?

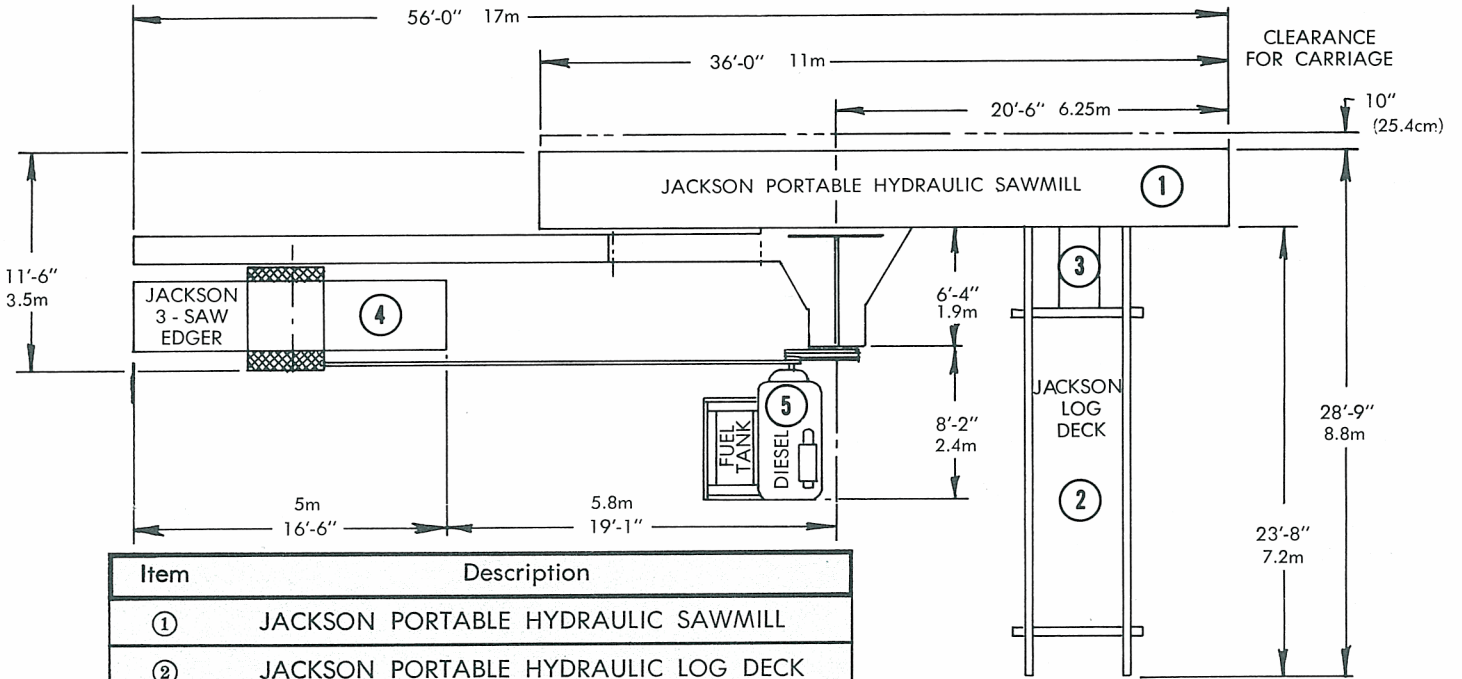
Selective logging operations, salvage logging, land clearing, custom sawing, stationary mill set-ups, etc.



**Any Place Logs Are To Be Sawed Into Lumber
That's The Place For A Lumber Harvester**

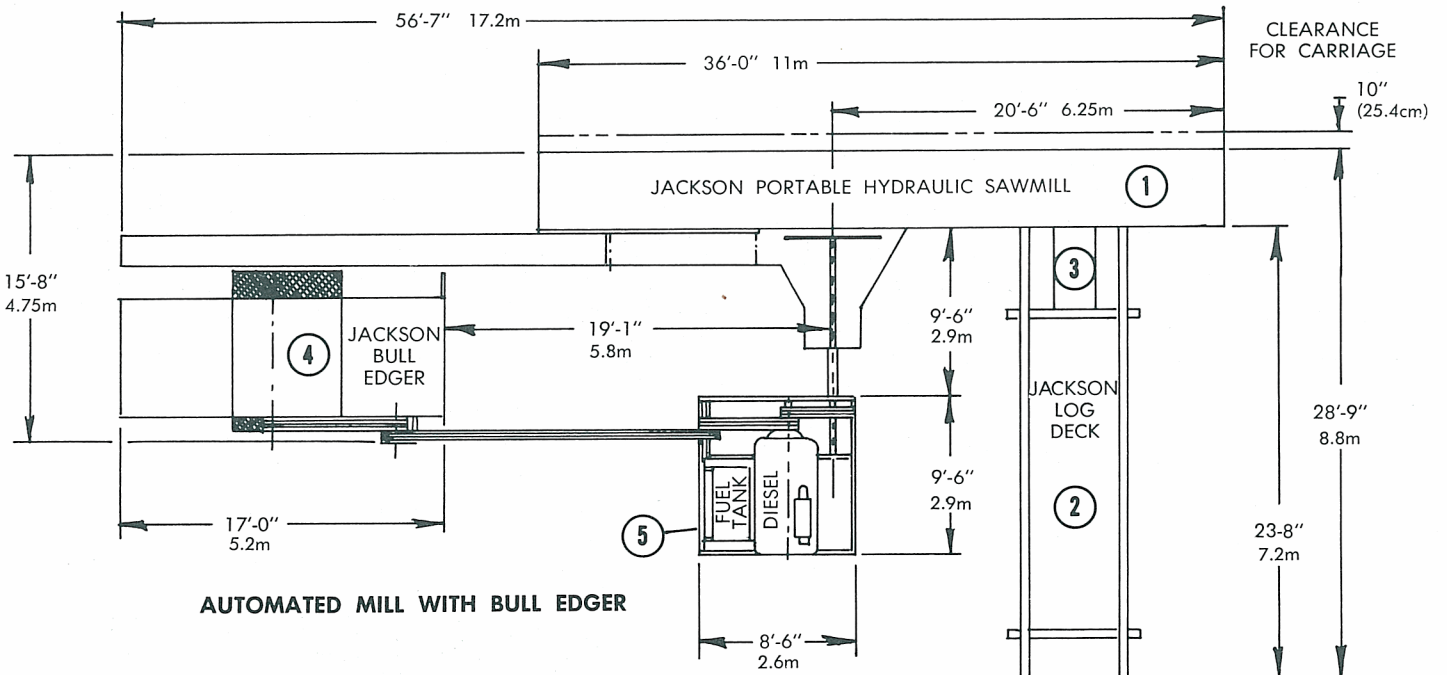


SOME TYPICAL LAYOUTS OF THE PORTABLE HYDRAULIC SAWMILL



Item	Description
①	JACKSON PORTABLE HYDRAULIC SAWMILL
②	JACKSON PORTABLE HYDRAULIC LOG DECK
③	JACKSON HYDRAULIC LOG TURNER
④	JACKSON PORTABLE 3 - SAW EDGER
⑤	DIESEL DRIVE PACKAGE

AUTOMATED MILL WITH EDGER



AUTOMATED MILL WITH BULL EDGER

JACKSON HYDRAULIC "LUMBER HARVESTER" SAWMILL

GENERAL SPECIFICATIONS

Model Number	RMBH-30	RMBH-40	RMBH-40 (L)
Size (Set-Up)	8 ft. x 36 ft. (2.44 x 10.98m)	10 ft. x 36 ft. (3.05 x 10.98m)	10 ft. x 42 ft. (3.05 x 13.80m)
Size (Transit)	ALL — 8 ft. x 30 ft. (2.44 x 9.1m)		
Max. Saw Size	ALL — 60 in. (152.4cm)		
Weight	7,000 lbs. (3175kg)	9,400 lbs. (4264kg)	10,400 lbs. (4717kg)
*Max. Size Log Sawn	40 in. x 24 ft. (102cm x 7.3m)	50 in. x 24 ft. (127cm x 7.3m)	50 in. x 30 ft. (127cm x 9.1m)

CARRIAGE SPECIFICATIONS

Size	3 ft. 9 in. x 17 ft. 3 in. (114.3cm x 5.26m)	4 ft. 7 in. x 17 ft. 3 in. (129.5cm x 5.26m)	4 ft. 7 in. x 20 ft. 0 in. (129.5cm x 6.1m)
No. of Headblocks	5	5	7
Headblock Opening	30 in. (76.2cm)	40 in. (101.6cm)	40 in. (101.6cm)
No. of Dogs	ALL — 2 Hydraulic Bite Type		

FRAME SPECIFICATIONS

Frame	HEAVY DUTY ALL STEEL TUBULAR		
Lumber Take-Away	ALL — 18 in. x 10 ft. Belt (55.7cm x 3.04m)		
Leveling Jack	10	11	13
Arbor	2 ⁷ / ₁₆ in. x 48 in. (61.9mm x 121.9cm)	2 ⁷ / ₁₆ in. x 72 in. (61.9mm x 182.9cm)	2 ⁷ / ₁₆ in. x 72 in. (61.9mm x 182.9cm)
Collars	ALL — dia. 6 in. (15.24cm), Thickness 2 in. (5.08cm)		
Axle	Single	Tandem	Tandem
Brakes		Elect.	Elect.
Guide Rail	ALL STEEL PERMANENTLY MOUNTED		

BASIC HYDRAULIC SYSTEM

Main Pump (Double)	ALL — 21 gpm @ 1500 psi and 8 gpm @ 1250 psi		
Auxiliary Pump	ALL — 8 gpm @ 1250 psi		
Reservoir (Self Cooling)	37 gal. (140 liters)	74 gal. (280 liters)	74 gal. (280 liters)
Oil Filter	ALL — 10 Micron		
Fittings	ALL REUSABLE		

HYDRAULIC FEEDWORKS

Motor	ALL — 30 h.p.
Cable	ALL — 3/8 in. (9.5mm)
Drum	ALL — 12 in. (30.48cm)
Cable Sheaves	ALL — 10 in. (25.4cm)

HYDRAULIC NETWORKS

Receding Motor	BI-DIRECTIONAL
Selection Stops	ALL — 5

*For Max. Efficiency, Logs 12 in. (30.48cm) to 36 in. (91.44cm) Dia. and 8 ft. (2.44m) to 18 ft. (5.48m) Long are Recommended.



For Complete Details
Write or Call: (715) 926-3816

GENERAL OFFICES AND PLANT — MONDOVI, WISCONSIN, U.S.A.